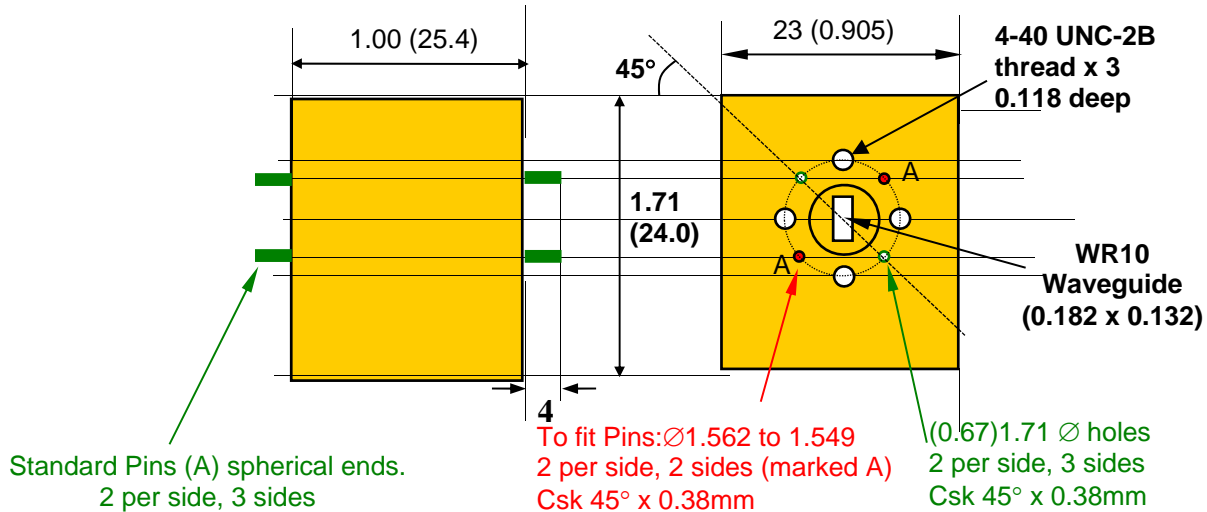


Waveguide Isolator, WR10, 93-95 GHz 2.5 Watts Reverse (125 Watts Peak, 8.125 Watts Fwd)

Units: inch (mm)

Tolerance: ±0.02 unless otherwise stated.

Material: Silver plated brass.



Specifications:

Frequency	93-95	GHz
Bandwidth	2	GHz
Insertion loss	0.4	dB (maximum)
Isolation	20	dB (minimum)
VSWR	1.25:1	All ports
Waveguide interface (flange)	WR-10	(UG387/U)
Operating Forward Power	8.125	Watts
Operating Reverse Power	2.5	Watts
Operating Peak Power	125	Watts
	@	
	6.5	micro sec pulse
	6.5	% Duty Cycle
Operating temperature	-40 to 70	°C
Non operating	-55 to 80	°C
Humidity	%	95
Operation Shock		6G,11mS, saw tooth
Random Vibration: 500-2000Hz	Grams	4.12