

RI, RC-TW-d-U Stripline Models, 700-2000MHz, 10% Bw

Cellular

Ultra low IMD

WCDMA

Standard specification examples:

Frequency MHz (F1-F2)	Ins. Loss dB	ISO. dB	Ret. Loss:	VSWR
869-894	0.25, 0.15 typ.	23	21	1.19:1
921-960	0.25, 0.15 typ	23	22	1.19:1

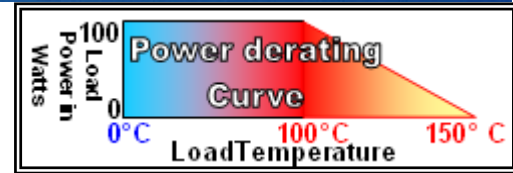
Circuit Tab height: 0.15" (3.8mm).
 Overall height: <0.40 (10.16mm) (incl. magnet).
 Mounting holes Ø: 0.116" (2.95mm)

**-U Ultra low IMD option
 -85dBc (-90dBc typical)
 at 2 x 30W power**



Direction of RF:	
R	Default →
L	←

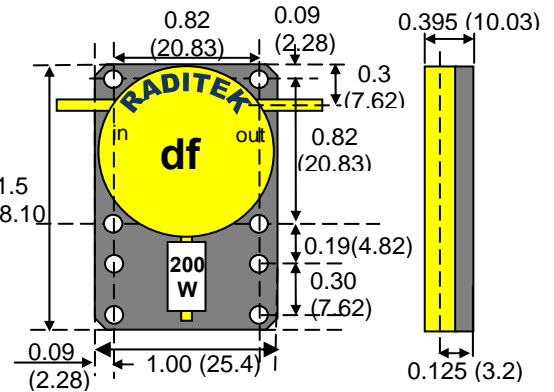
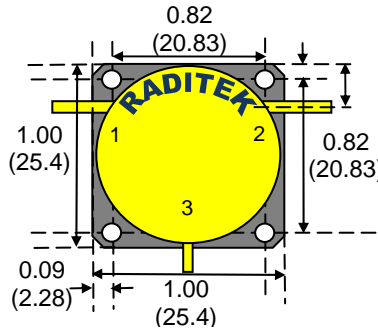
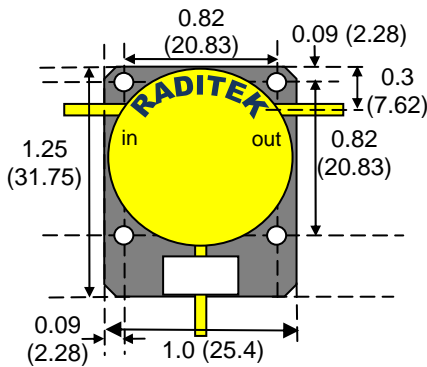
Order Examples: RI-TW-869-894M-de-110WR-U
I=ISOLATOR / C=CIRCULATOR



de Isolator Model
 Shown with attenuator/load

dd Circulator Model
 Load must have <-30 dB return loss for good IMD

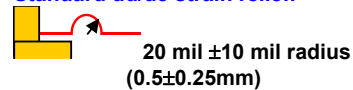
df Model
 200W Isolator



General specifications:		
Max. Fwd power:	250 Watts	Average
Max. Rev power (avg): (Load rating)	110 Watts 10W (option)	Assumes infinite heat sink Load temp to be < 85°C
Forward Peak Power	>1 KW Std	into a non short circuit load
Operating temp.	-20 to 85°C	-54°C to 110°C (storage)
Options:		
Ultra Low Intermodulation.	U	Optimized for best IMD for its size. Typ.: <-80dBc, 2 x 30W tones, 10MHz apart.
Attenuator type	-A20; -A30	20 dB or 30 dB
Surface mount	-S	Tab is level with base
Special	-Z	Tab ht. is 62 mils (1.58 mm)

Tolerance	.XX	.XXX
Inch	±0.02	±0.010
mm	±0.5	±0.25

Circuit Tabs can be bent flush with base for surface mounting "option S"
 Standard dd/de strain relief.



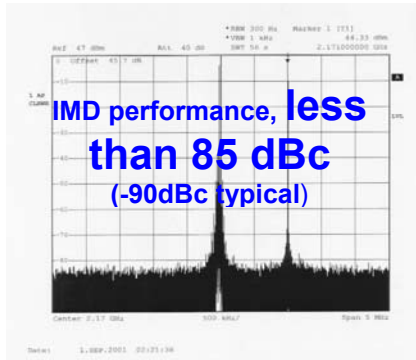
Machined surface: ⁶³√
 Housings are made from Steel & Aluminum
 Magnetically shielded, Silver plated.

RI, RC-TW-d-U Stripline Models, 700-2000MHz, 10% Bw

Cellular

Ultra low IMD

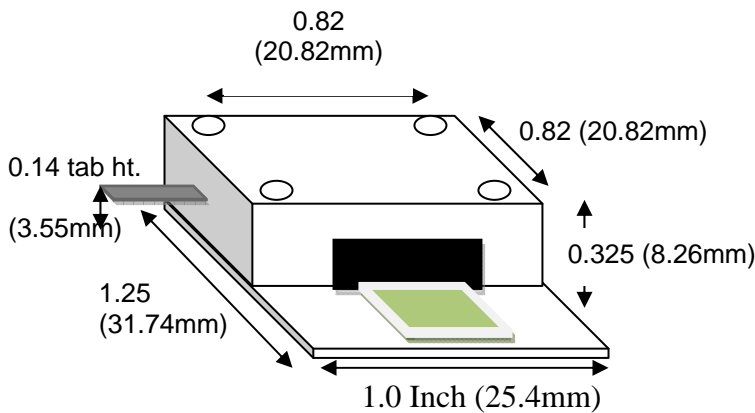
WCDMA



Specs for TW-d models

Table 1 Designed and Tested For Ultra Low IMD (within frequency of the IMD Test set)

Freq. MHz	BW%	Insertion Loss dB (max)	Isolation dB (min)	Return Loss dB(min)	VSWR All ports	Model	IMD on -U option
790-910	120M	0.4	21	20		de	Too wide Band -52 (-54 typical) dbc @ 2 x 50W tones
850-904	54M	0.4	18	17	1.32	de	-76dbc @ 2 x 50W tones
869-894	25M	0.25	23	22	1.17	de	-76dbc @ 2 x 50W tones
869-894-LP	25M	0.25	21	20	1.22	de	+2.95/-2.5° -40 to 85C tones
915-975	60M	0.25	22	20.8	1.2	de	-70dbc @ 2 x 100W
KDE							
1805-1880	75M	0.25	25	23		kde	-85dbc @ 2 x 30W tones
1920-2000	80M	0.25	22	20.8	1.2	Kde	
1930-1990	60M	0.25	25	23		kde	-85dbc @ 2 x 30W tones



**-U Ultra low IMD option
-85dBc (-90dBc typical)
@ 2 x 30W power**

Best performance and lowest IMD
Linear phase (-LP Option) has the best phase over temperature spec