

RI, RC-SS-b-Stripline Models, 3.4-14.6GHz 2, 20 and 40 Watts

Circuit tab detail: (silver plated)

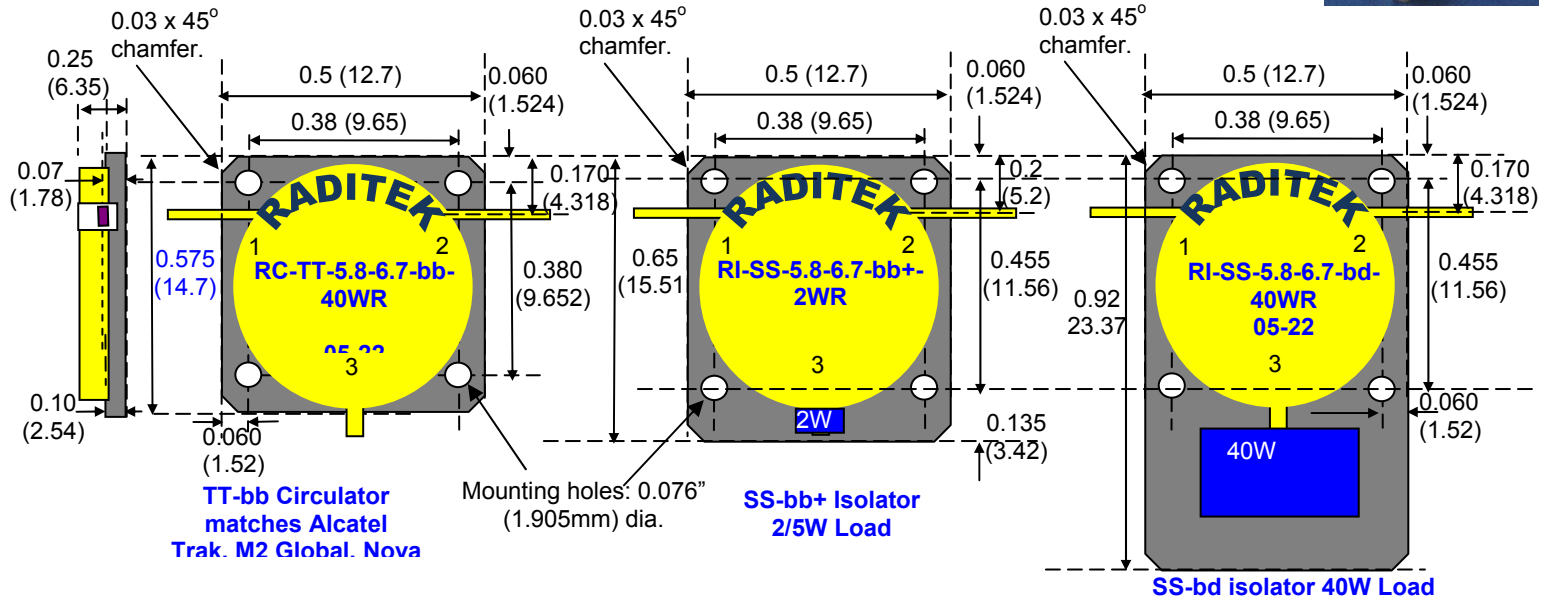
Unit	Length	Width bb	Thickness
Inch	0.07	0.025	0.005
mm	1.778	0.635	0.127

- ▶ Machined surface: $63\sqrt{}$
- ▶ Housings are made from Steel Aluminum

Tolerance	.XX	.XXX
Inch	± 0.02	± 0.010
mm	± 0.5	± 0.25

- ▶ Magnetically shielded
- ▶ Nickel plated

Units: Inch
Not to scale

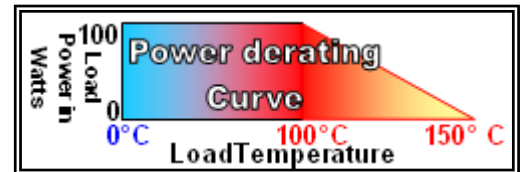


Direction of RF:	
R	Default ▶
L	◀

Order Examples: RI-SS-F1-F2-bb-40WR

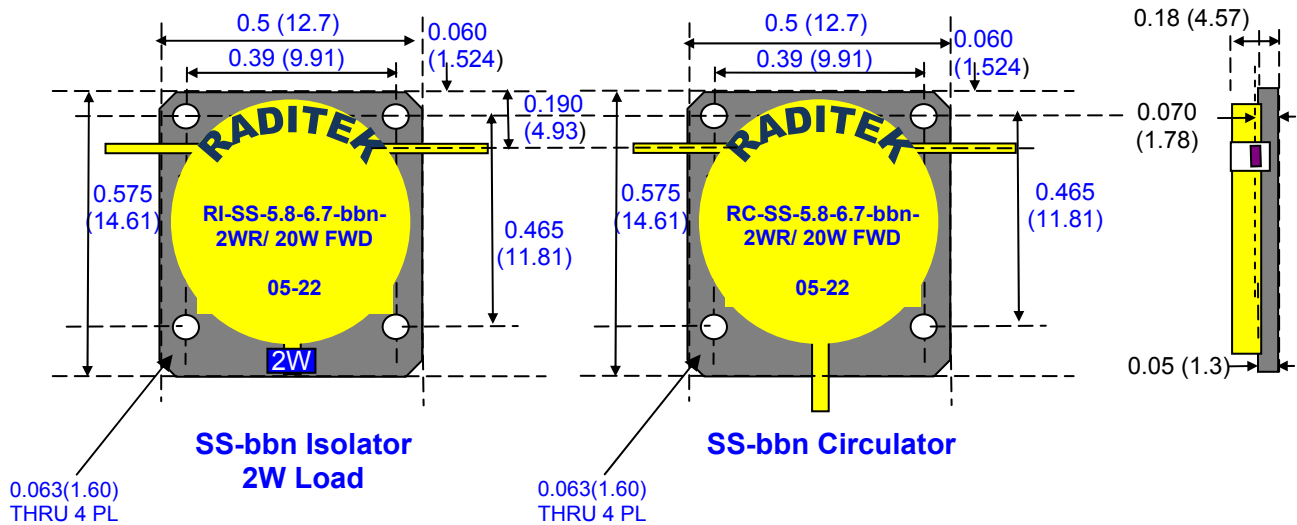
I=ISOLATOR / C=CIRCULATOR

- bd Stripline 3.6-10.0GHz Isolator, 40W, RI-SS-bd Isolator-40W
- bbn Stripline 3.6-10.0GHz Isolator 2W, RI-SS-bbn Isolator-2W
- bbn Stripline 5.3-5.9GHz Circulator 20W
- bb+ Stripline 3.6-10.0GHz Isolator 2W, RI-SS-bb+ Isolator-2W
- <10% Bandwidth



General specifications:	SS-bb Isolator	SS-bbn Isolator	SS-bbn Circulator	SS-bd Circulator	
Max. Fwd power:	20 Watts	20 Watts	20 Watts	40 Watts	Average
Max. Reverse power(avg): (Load rating) (bd model)	2 Watts	2 Watts	20 Watts	40Watts	Assumes infinite heat sink, Load temp to be < 85°C
Peak Power handling	100 Watts	100 Watts	100 Watts	100 Watts	12.5% duty cycle
Operating temp.	-30°C to 85°C	-30°C to 85°C	-30°C to 85°C	-25°C to 85°C	
Storage temp.	-55°C to 110°C	-55°C to 110°C	-55°C to 110°C	-55°C to 110°C	

RI, RC-SS-b-Stripline Models, 3.4-14.6GHz 2, 20 and 40 Watts



Frequency GHz	BW GHz	Insertion Loss dB Max.	Isolation (min) dB	Return Loss dB	VSWR All ports	Comment
3.4-3.6	0.2	0.5	17	17	1.34:1	p
3.6-4.0	0.4	0.5	16	16	1.37:1	p
3.6-4.2	0.6	0.5	16	16	1.37:1	p
3.7-3.9	0.2	0.5	17	17	1.34:1	p
3.7-4.2	0.5	0.5	16	16	1.37:1	p
3.8-4.2	0.4	0.5	17	17	1.34:1	p
3.9-4.4	0.6	0.5	16	16	1.37:1	bbp model, t4 (-20 to +85)
4.15-4.45	0.5	0.5	16	16	1.37:1	p
4.0-4.5	0.5	0.5	16	16	1.37:1	p
4.0-5.0	0.1	0.5	17	20	1.20:1	@ -30 to +65C, p
4.2-4.4	0.2	0.5	16	19	1.25:1	(17dB isol at RT)v dc 6/3/09 ibbn 10W on SO# 8781
4.2-4.8	0.6	0.55	15	15	1.43:1	p
4.25-4.75	0.5	0.5	16	16	1.37:1	p
4.4-5.0	0.6	0.5	16	16	1.37:1	dc 2-23-10
4.4-5.4	1.0	0.6	17	16	1.37:1	p
4.4-5.8	1.4					p
4.5-5.5	1.0	0.5	16	16	1.37:1	p
4.7-5.1	0.4	0.5	17	16	1.37:1	p
4.8-5.2	0.4	0.5	17	16	1.37:1	p
4.8-5.3	0.5	0.5	17	16	1.37:1	ibd 40W on SO# 8727 (0.6/16/16@-25to -40°C), p
4.8-5.6						
4.9-5.0	0.1	0.5	17	19	1.25:1	ibd 40W on SO# 8727
4.9-5.1	0.2	0.5	17	19	1.25:1	(0.6/16/16@-25to -40°C), p
4.95-5.05	0.1	0.5	20	19	1.25:1	p

RI, RC-SS-b-Stripline Models, 3.4-14.6GHz 2, 20 and 40 Watts

Frequency GHz	BW GHz	Insertion Loss dB Max.	Isolation (min) dB	Return Loss dB	VSWR All ports	Comment
5.0-6.0	1.0	0.65	17	17	1.34:1	C-ss-bbn-S
5.0-6.0	1.0	0.6	18	17	1.34:1	I-ss-bbn-10W (so)
5.1-5.3	0.2	0.5	17	19	1.25:1	
5.1-5.8	0.7	0.5	20	17.7	1.29:1	-15 to +85, I-ss-bd-40W(-178)
5.1-5.9	0.8	0.5	18	17	1.32:1	p
5.15-5.40	0.25	0.6	16	17.7	1.29:1	p
5.2-5.6	0.4	0.5 0.4 target	20	19	1.25:1	C-TT-bb 3 stk
5.2-5.6	0.4	0.5 0.4 target	20	19	1.25:1	p, I-bb+
5.2-5.9	0.7	0.5	20	19	1.25:1	(BD 20W SO6221), c-TT-bb-40W (so 9591)
5.3-5.9	0.6	0.6	20	19	1.25:1	p
5.2-6.2	1.0	0.5	20	19	1.25:1	C-TT-bb 3 stk
5.25-5.85	0.7	0.5	20	17.7	1.29:1	p
5.3-5.9	0.5	0.3Typical 0.35 Max	22	20	1.19:1	p circ bbn 0.35/21/19@-40 to -30
5.3-5.92	0.62	0.5	20	19	1.25:1	p
5.4-5.7	0.3	0.4	20	20	1.20:1	
5.4-5.9 bb-tt	0.5	0.45	19	19	1.25:1	p tt-bb 0.45/19/19 @ -20 to +85
5.4-5.9 bbn isol	0.5	0.30	21	21	1.19:1	p isol bbn dc 4-21-11. 0.25/21/21@-40 to +85
5.4-5.9 bbn circ	0.5	0.30	21	21	1.19:1	p circ bbn dc 4-21-11. 0.25/21/21@-40 to +85
5.5-5.8	0.3	0.5	20	19	1.25:1	p
5.7-5.9	0.2	0.5	20	19	1.25:1	p
5.78-6.40	0.62	0.4	20	19	1.25:1	
5.8-6.2	0.4	0.4	20	19	1.25:1	
5.8-6.5	0.7	0.4	20	19	1.25:1	bbn
5.8-6.7	0.9	0.5	20	19	1.25:1	C-TT-bb(-186) 41 stk
5.9-6.4	0.5	0.4	20	19	1.25:1	
5.9-7.9	2.0	0.6	18	18	1.28:1	p-tbc
6.4-7.2	0.8	0.4	20	19	1.25:1	bbn
6.4-7.8	1.0	1.0	15	18	1.30:1	Bbn 100mW
6.6-7.1	0.5	0.4	20	20	1.20:1	
7.125-7.75	0.6	0.4	20	19	1.25:1	
7.2-8.4	1.2	0.6	15	16	1.35:1	Ok so 9920
7.5-8.5	1.0	0.6	17	17	1.35:1	p
7.7-8.5	0.8	0.5	19	19	1.25:1	p
7.8-8.5	0.7	0.5	19	19	1.25:1	
7.9-8.4	0.5	0.5	17.5	19	1.25:1	p (SO 10036) -178 bd
8.0-8.5	0.5	0.5	19	19	1.25:1	SO 10324 2w,
8.2-9.6	1.4	0.4	20	19	1.25:1	
8.8-9.5	0.7	0.5	20	20	1.20:1	C-TT-bb-40W(so 9591)

RI, RC-SS-b-Stripline Models, 3.4-14.6GHz 2, 20 and 40 Watts

Frequency GHz	BW GHz	Insertion Loss dB Max.	Isolation (min) dB	Return Loss dB	VSWR All ports	Comment
9.0-10.0	1.0	0.6	20	16	1.37:1	P circ 9/12/12
9.15-10.05	0.9	0.6	20	19	1.25:1	p, l-bb+ 9/12/12
9.2-9.8	0.6	0.6	18	18	1.28:1	p
9.2-9.6	0.4	0.5	20	19	1.25:1	p, bd
9.3-9.5	0.2	0.5	20	19	1.25:1	P, p, l-bb+
9.5-10.5	1.0	0.6	17	18	1.28:1	ibd 40W SO 9590 dc
10.1-10.5	0.4	0.55	19	18	1.28:1	p, bd
10.7-11.7	1.0	0.6	17	18	1.28:1	p
13.75-14.5	0.75	0.6	17	17	1.32:1	ibd 40W(-229) on SO# 6437 + SO 9590 dc-06/13
14.4-14.83	0.43	0.5	20	18	1.28:1	p

N Dimension	mm
bb	4.318
bb+	5.2
bbn	4.8
bd	4.318