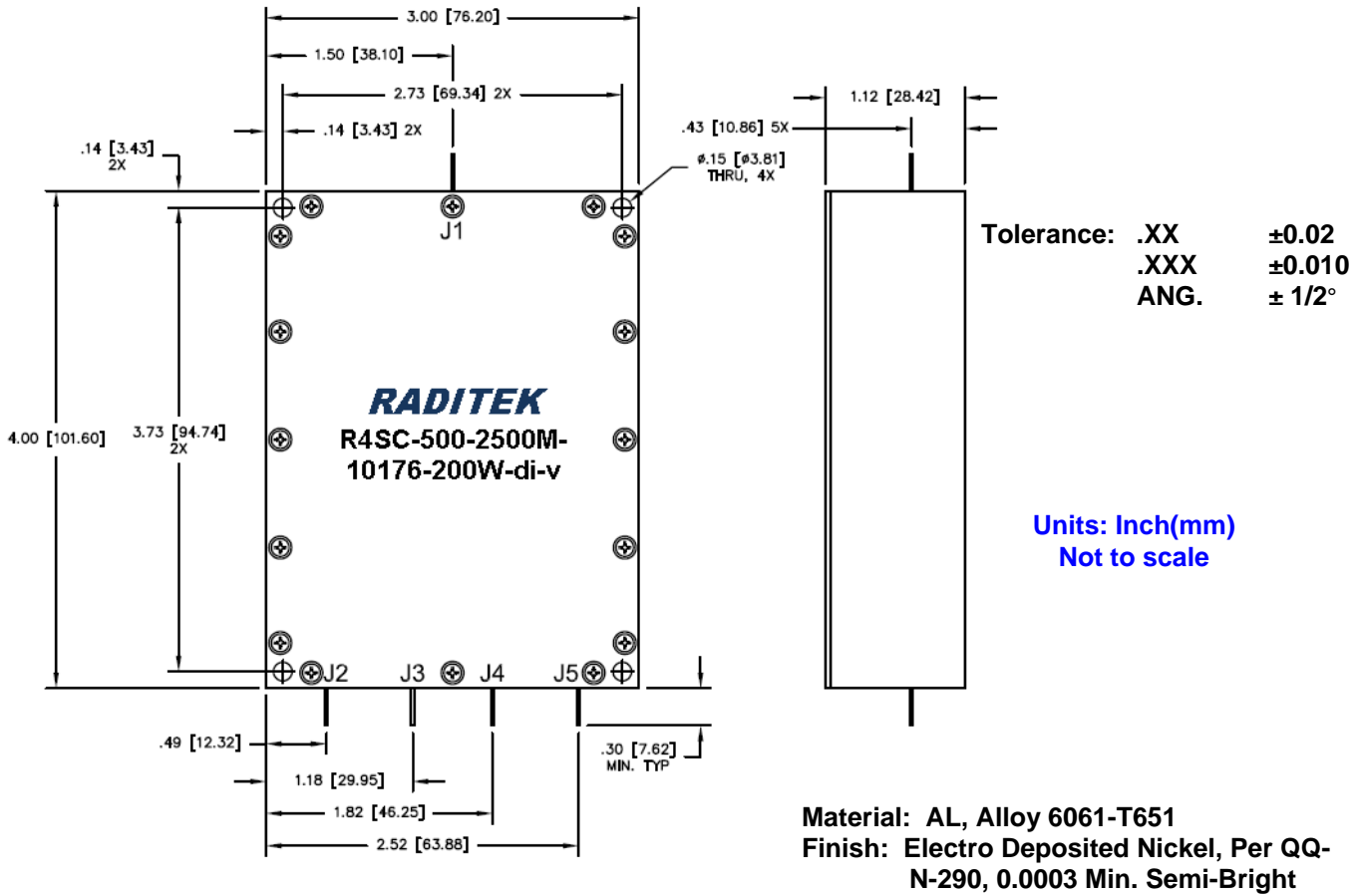


## 4-Way Splitter Combiner, 500-2500MHz, 200 Watts, Drop-In



**Order Examples: R4SC-500-2500M-10176-200W-di-v**

**Description: (4-Way Splitter Combiner, 500-2500MHz, Size 101.6x76.2mm, 200 Watts, Drop-In)**

Specifications	Units	
Frequency	500-2500	MHz
Insertion Loss	<0.8	dB
Isolation	>8	dB
VSWR	<1.3:1	
Phase Balance	±5°	
Amplitude Balance	±0.25	dB
Power	200	Watts
Connectors: J1-J5 PIN Diameter	0.02	In.
Temperature	-55 to 85	°C