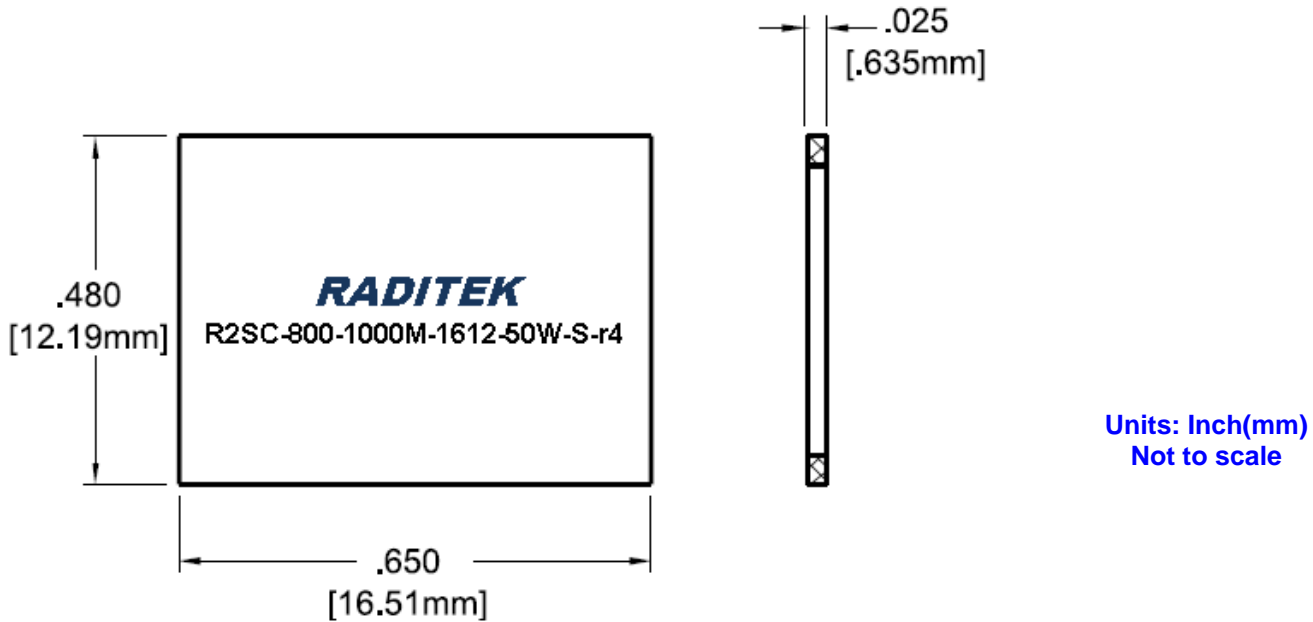


2-Way Splitter Combiner, 800-1000MHz, 50 Watts, Surface Mount



Order Examples: R2SC-800-1000M-1612-50W-S-r4

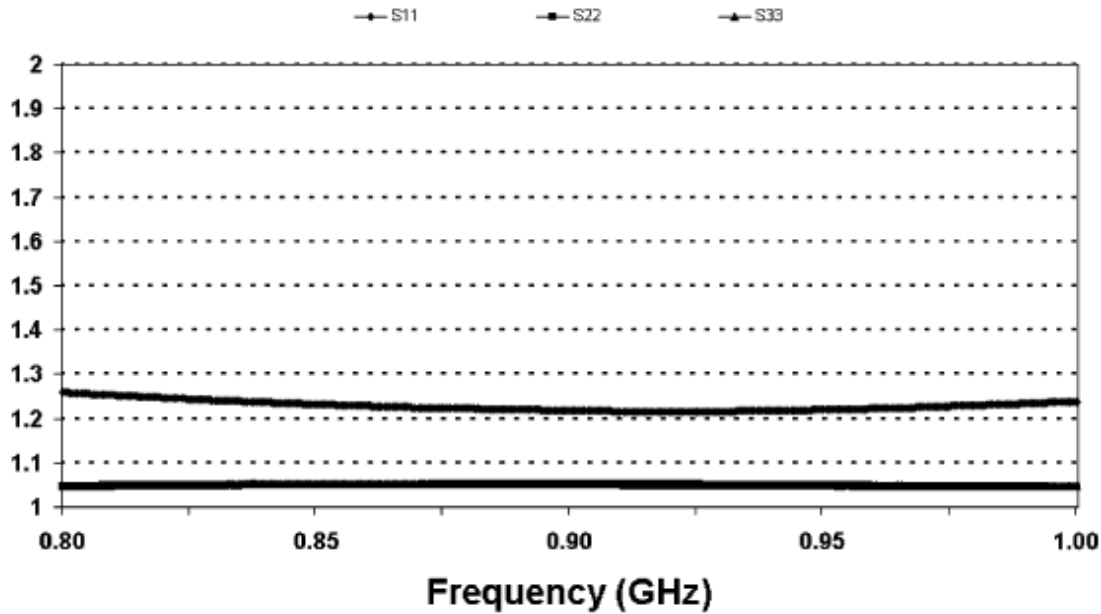
Description: (2-Way Splitter Combiner, 800-1000MHz, Size 16.51x12.19mm, 50 Watts, Surface Mount)

Specifications	Units	
Frequency	800-1000	MHz
Insertion Loss per leg	0.30	dB (max)
Isolation	16	dB (min)
VSWR (in/out)	1.40:1/1.30:1	(max)
Phase Balance	±2°	(max)
Amplitude Balance	±0.20	dB (max)
Input Power	50	Watts (max)

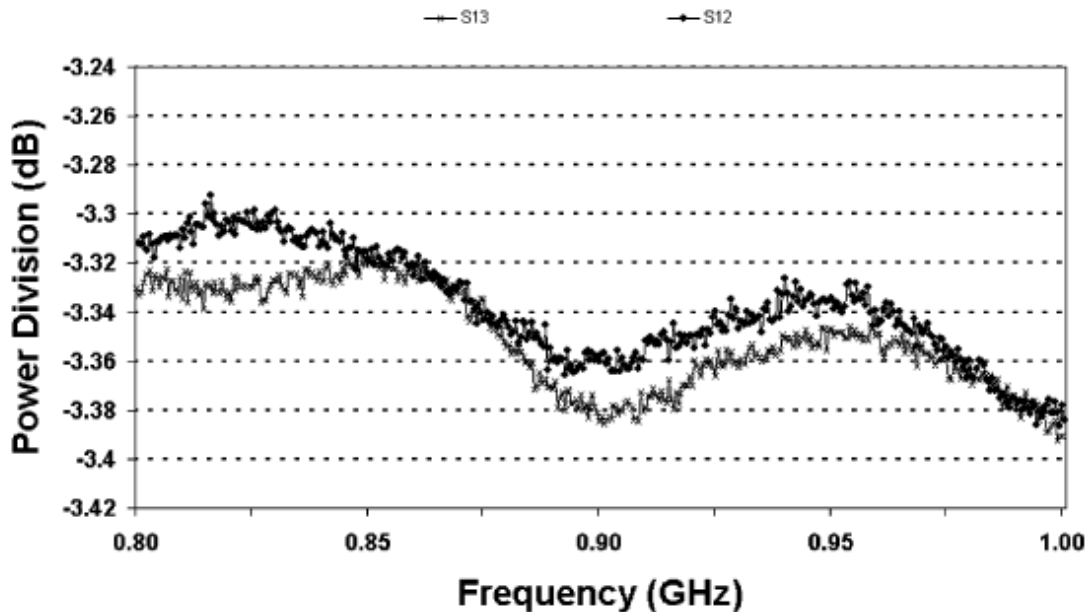
Power Rating Table	
Power (W)	Output VSWR Match
50	Up to 1.40:1
34	@ 1.50:1
28	@ 1.60:1
19	@ 1.70:1
17	@ 1.80:1
14	@ 1.90:1
13	@ 2.0:1

2-Way Splitter Combiner, 800-1000MHz, 50 Watts, Surface Mount

Typical Electrical Characteristics (S-Parameter data) Return Loss

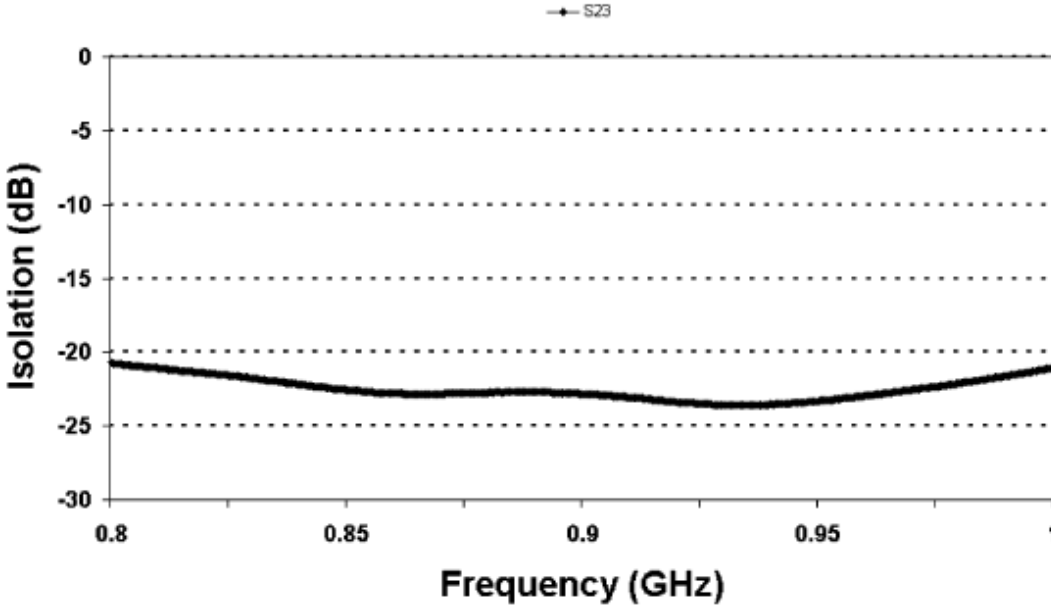


Transmission Loss

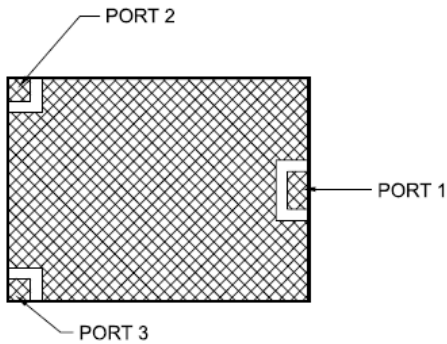


2-Way Splitter Combiner, 800-1000MHz, 50 Watts, Surface Mount

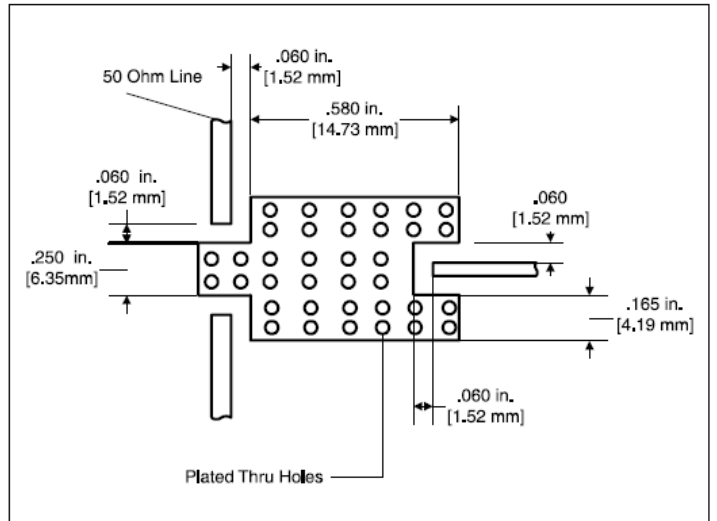
Typical Electrical Characteristics (S-Parameter data) Isolation



Pin Configuration



Mounting Configuration



Power Division

Port 1 Input
Port 2 & 3 3 dB Output

Combiner

Port 1 Combined Output
Port 2 & 3 Input