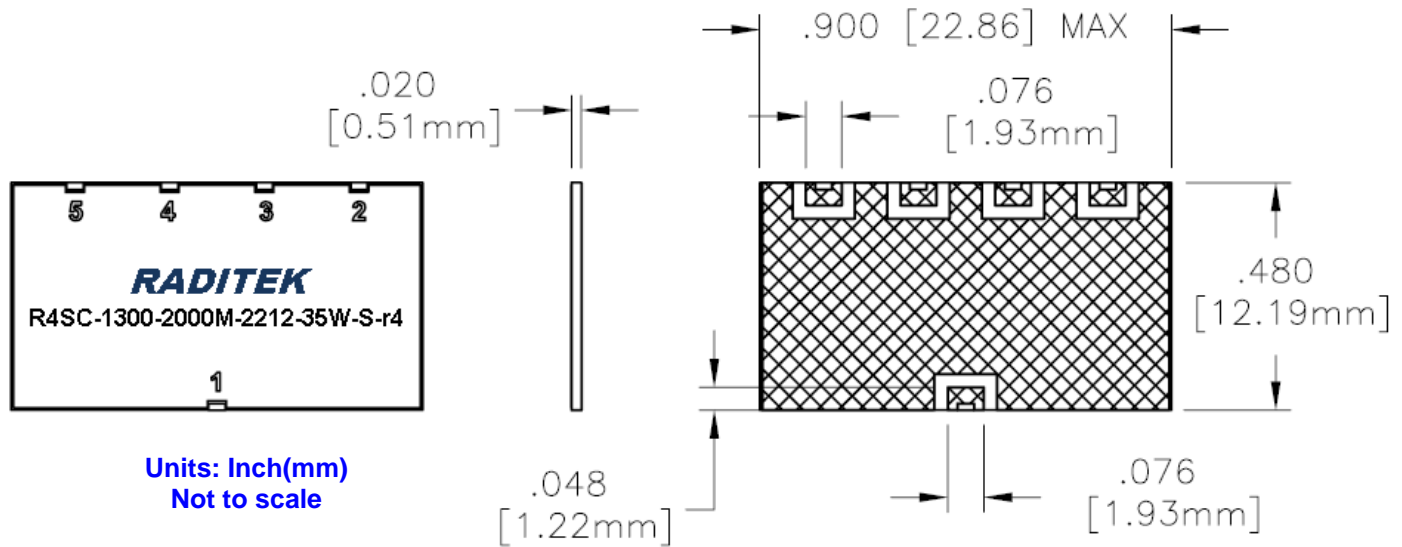


4-Way Splitter Combiner, 1300-2000MHz, 35 Watts, Surface Mount



Materials:

Substrate: Alumina
Resistive Film: Thick Film

Finish:

Solderable Ground Plane

Unless otherwise specified,
Tolerances are:
±0.010" [0.254mm]

Order Examples: R4SC-1300-2000M-2212-35W-S-r4

Description: (4-Way Splitter Combiner, 1300-2000MHz, Size 22.86x12.19mm, 35 Watts, Surface Mount)

Specifications	Units	
Frequency	1300-2000	MHz
Insertion Loss per leg	1300-1600MHz	0.70 dB (max)
	1600-2000MHz	0.85 dB (max)
Isolation	13	dB (min)
VSWR (in/out)	1300-1600MHz	1.25:1/1.20:1 (max)
	1600-2000MHz	1.25:1/1.25:1 (max)
Phase Balance	1300-2000MHz	±7° (max)
Amplitude Balance	±0.10	dB (max)
Nominal Impedance	50	Ω
Input Power	35	Watts (max)
Operating Temperature	-55 to 85	°C

Power Rating Table	
Power (W)	Output VSWR Match
35	Up to 1.40:1
24	@ 1.50:1
19	@ 1.60:1
14	@ 1.70:1
12	@ 1.80:1
10	@ 1.90:1
9	@ 2.0:1