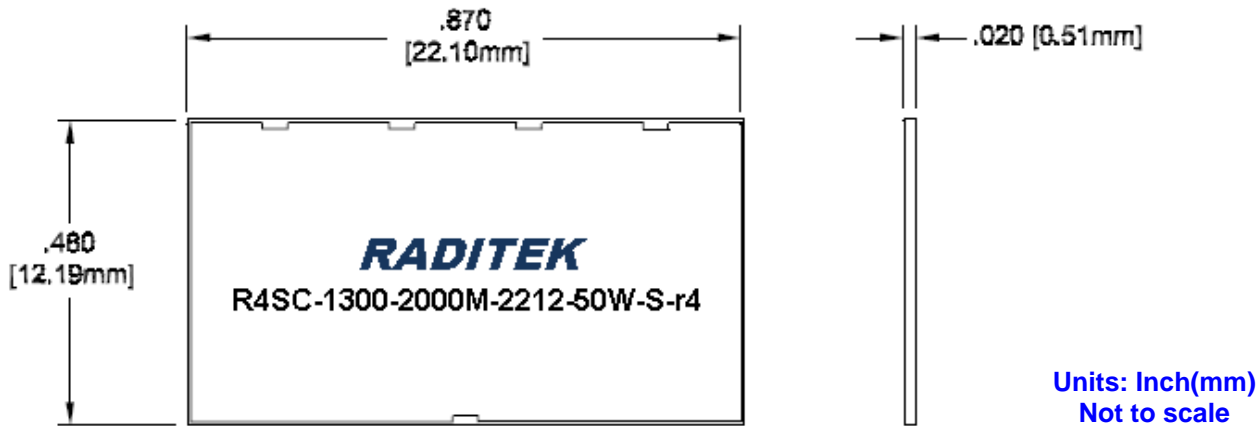


4-Way Splitter Combiner, 1300-2000MHz, 50 Watts, Surface Mount



Order Examples: R4SC-1300-2000M-2212-50W-S-r4

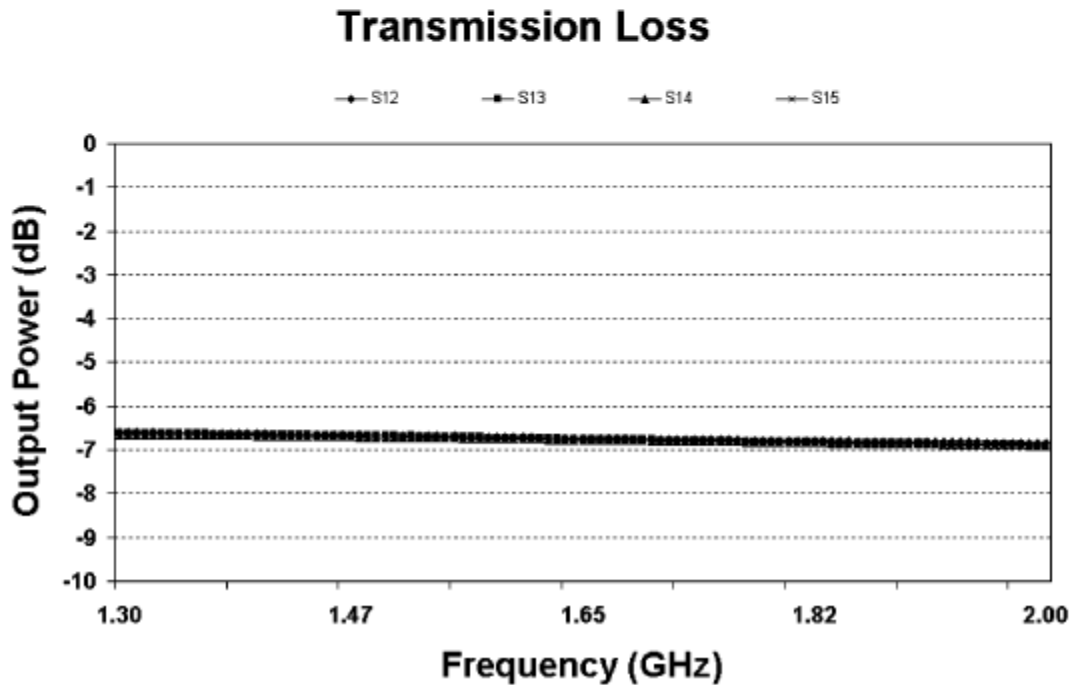
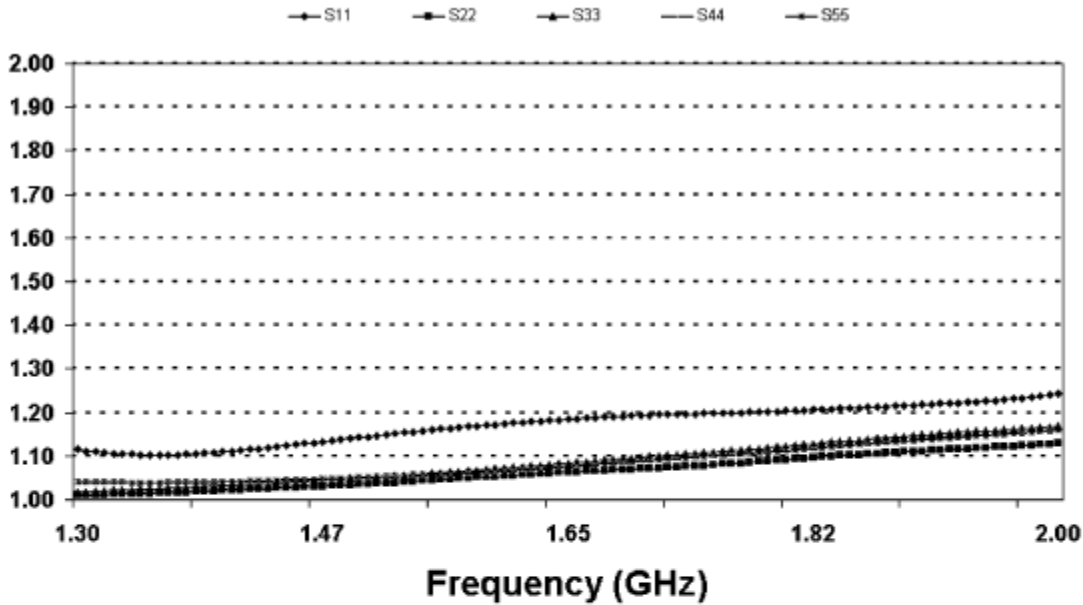
Description: (4-Way Splitter Combiner, 1300-2000MHz, Size 22.10x12.19mm, 50 Watts, Surface Mount)

Specifications	Units	
Frequency	1300-2000	MHz
Insertion Loss per leg	1300-1600MHz	0.70 dB (max)
	1600-2000MHz	0.85 dB (max)
Isolation	13	dB (min)
VSWR (in/out)	1300-1600MHz	1.25:1/1.20:1 (max)
	1600-2000MHz	1.25:1/1.25:1 (max)
Phase Balance	1300-1600MHz	6° (max)
	1600-2000MHz	7° (max)
Amplitude Balance	±0.10	dB (max)
Input Power	50	Watts (max)

Power Rating Table	
Power (W)	Output VSWR Match
50	Up to 1.40:1
34	@ 1.50:1
28	@ 1.60:1
19	@ 1.70:1
17	@ 1.80:1
14	@ 1.90:1
13	@ 2.0:1

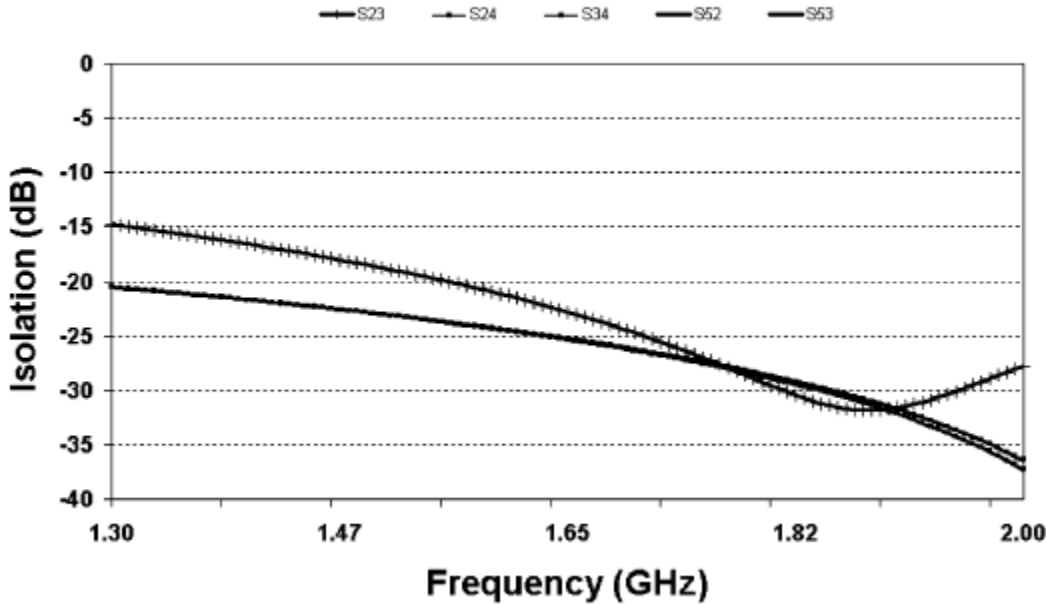
4-Way Splitter Combiner, 1300-2000MHz, 50 Watts, Surface Mount

Typical Electrical Characteristics (S-Parameter data) Return Loss

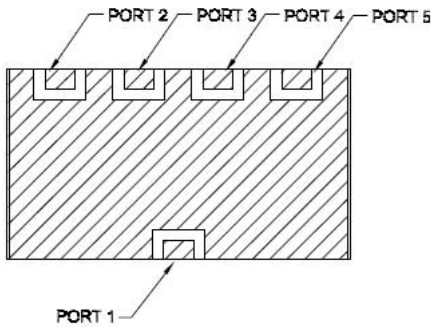


4-Way Splitter Combiner, 1300-2000MHz, 50 Watts, Surface Mount

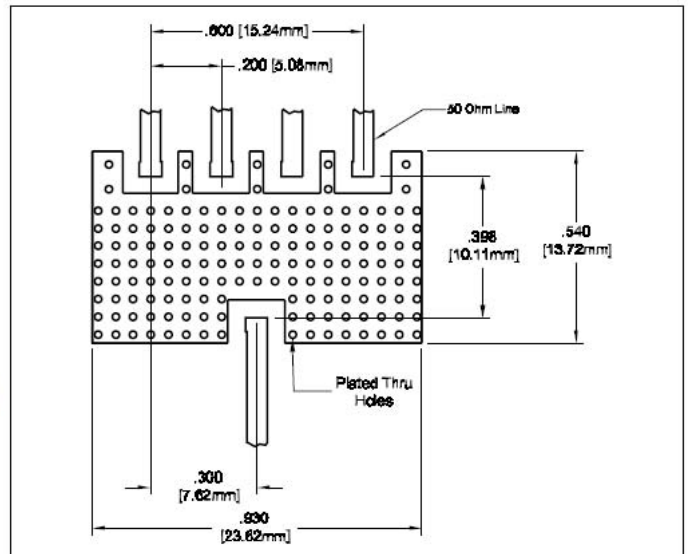
Typical Electrical Characteristics (S-Parameter data) Isolation



Pin Configuration



Mounting Configuration



Power Division

Port 1 Input
Port 2,3,4 & 5 6.0 dB Output

Combiner

Port 1 Combined Output
Port 2,3,4 & 5 Input