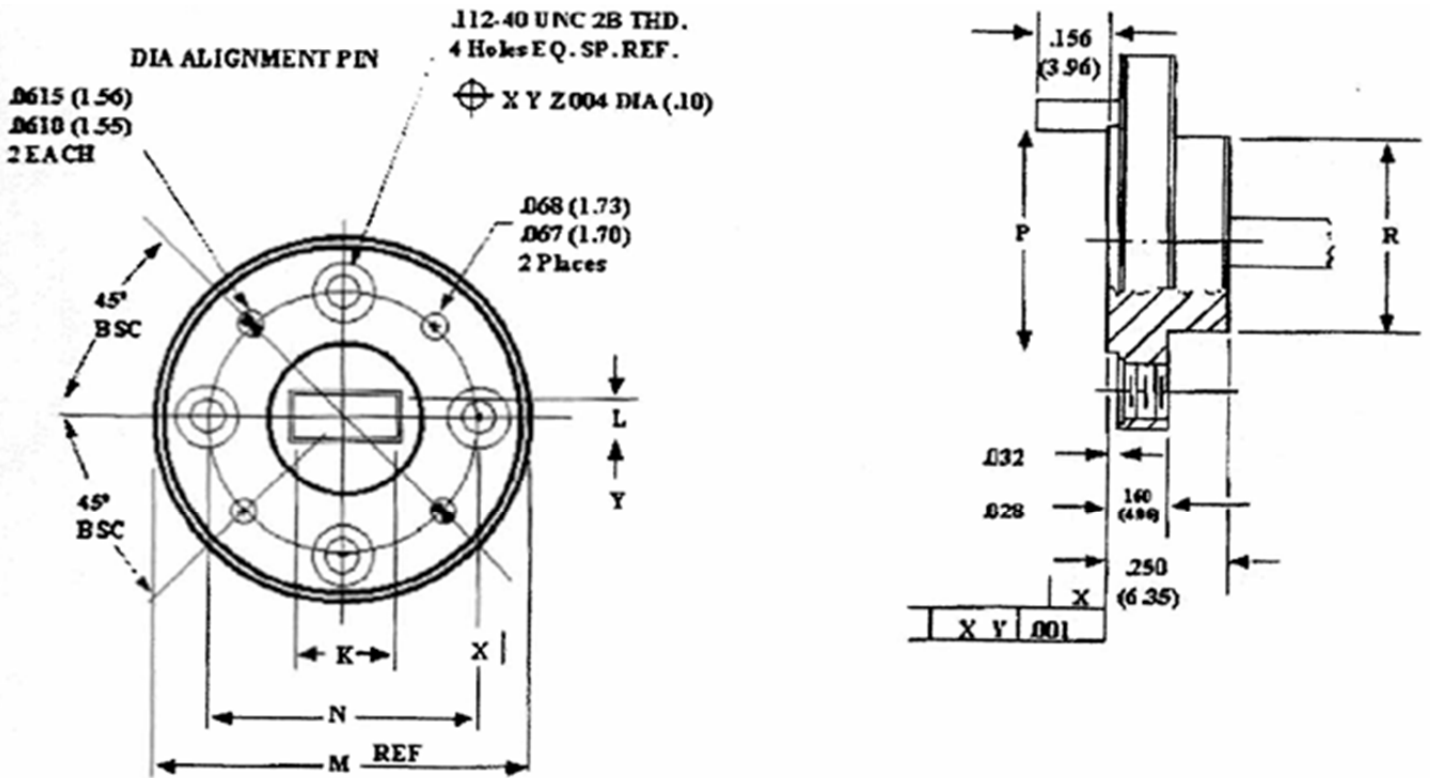


## Waveguide Flange, 75-110GHz WR10 Package, UG387/U-M Flange



K	L	M	N	P	R
±0.0015 (0.04)	±0.0015 (0.04)	±0.000/0.002 (0.02)	BSC±0.005	±0.005 (0.13)	±0.005 (0.13)
0.1 inch (2.54 mm)	0.05 inch (1.27 mm)	0.750 inch (19.05 mm)	0.5625 inch (14.29 mm)	0.375 inch (9.53 mm)	0.312 inch (7.92 mm)

**Order Examples:** RWF-75-110-WR10-UG387/U-M-e5

**Description:** (Waveguide Flange, 75-110GHz, WR10 Package, UG387/U-M Flange)

Specifications		Units
Frequency	<b>75-110</b>	GHz
Waveguide	WR10	
Flange	WG-387/U-M	
Flange type	Round	
Material	OFHC – copper	