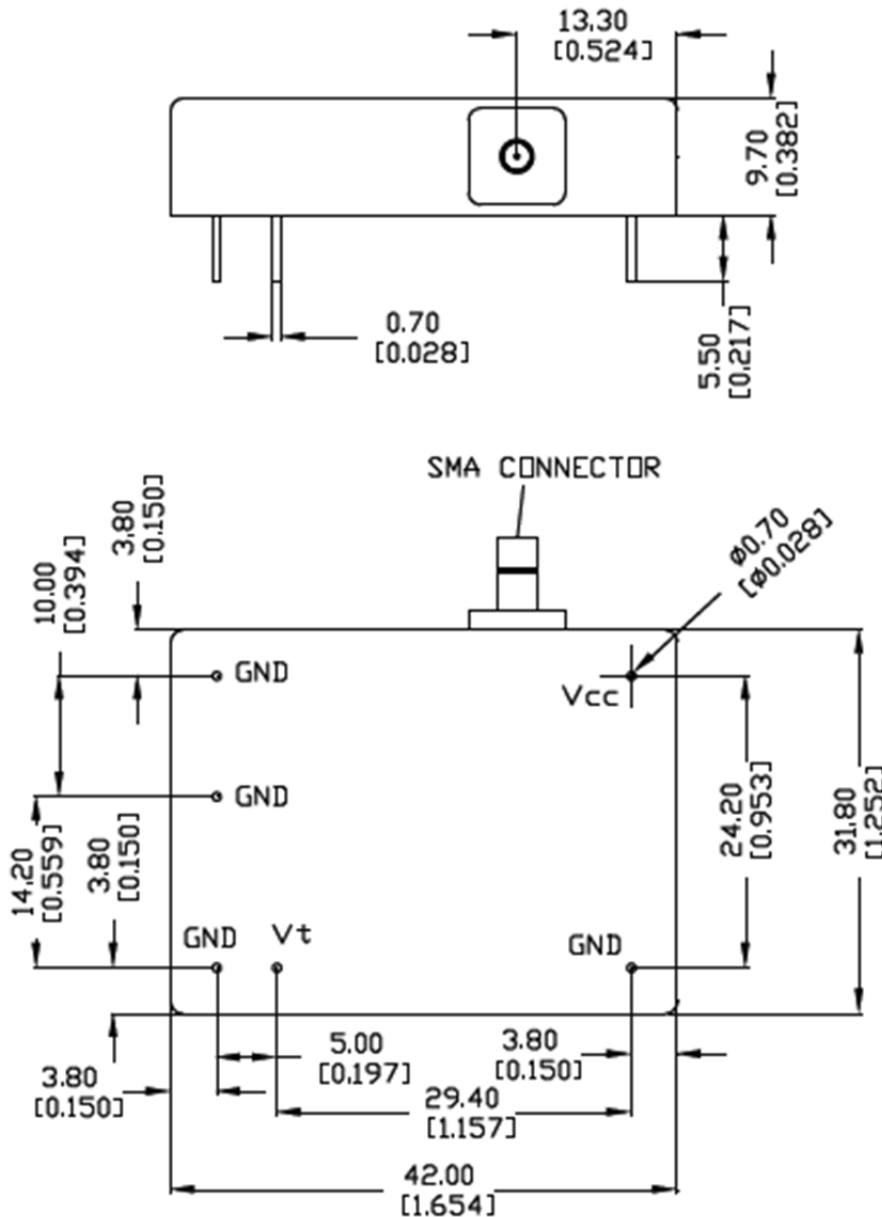


Voltage Controlled Oscillator, 1.5-2.5 GHz, +10 dBm Power Output
Drop-In Package, SMA Connector, 12 Volts Power Supply



Units: mm [inches]
Not to scale
Tolerances: ± 0.5 mm

Order Examples: RVCO-1.5-2.5-10d-di-Sf-12V-r24

Description: (Voltage Controlled Oscillator, 1.5-2.5 GHz, +10 dBm Power Output, Drop-In Package, SMA Female Connector, 12 Volts)

Voltage Controlled Oscillator, 1.5-2.5 GHz, +10 dBm Power Output Drop-In Package, SMA Connector, 12 Volts Power Supply

PARAMETER	CONDITION	SYMBOL	VALUE			UNIT
			Min.	Typ.	Max.	
Frequency Range	Vt=0 V	fo(Vt)	2500		1500	MHz
	Vt=20 V					
Power Supply Voltage		Vcc		12		V
Tuning Voltage		Vt	0		20	V
Supply Current	Vcc=12.5 V	Icc		50		mA
Operating Temperature		Ta	0		50	°C
Storage Temperature		Tstor	-40		100	°C
Maximum Limits Voltage	V _{cc(abs)} and Vt		-0.4		13.5	V
Termination Finish			Nickel Plated Metal Case, SMA Connector			
ESD Sensitivity	HBM	Human body model JESD22-A114		3		kV

OUTPUT CHARACTERISTICS

SINE-WAVE	PARAMETER	SYMBOL	CONDITION	VALUE			UNIT
				Min	Typ.	Max	
	Output Power	P _w	50 ohms load; SMA Connector Type	+10			dBm
	Output Load	O _{CL}			50		Ω

PHASE NOISE

PARAMETER	SYMBOL	CONDITION	VALUE			UNIT
			Min	Typ	Max	
Phase noise (1Hz BW)	Σ(Δf)	Δf=1.0kHz	--	--	--	dBc/Hz
		Δf=10kHz	--	--	-70	
		Δf=100kHz	--	--	--	