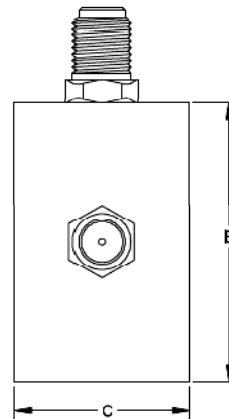
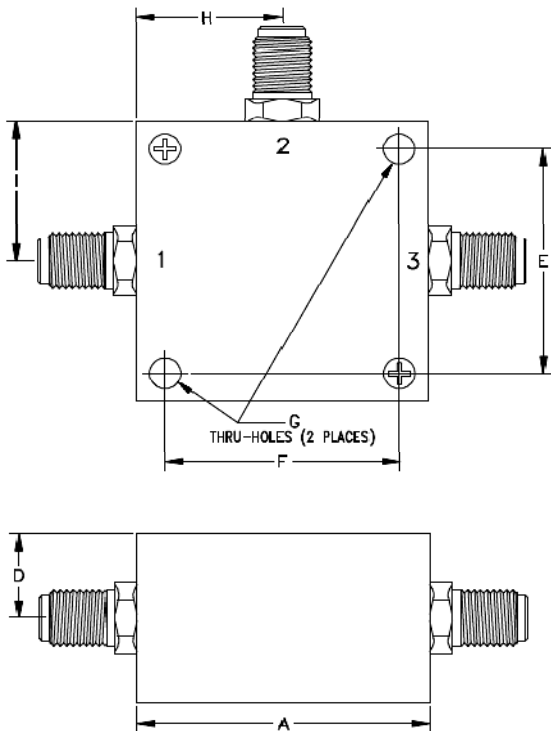
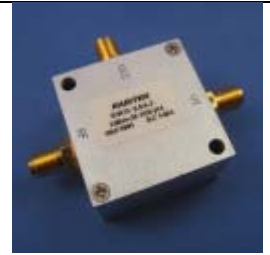


## Voltage Controlled Oscillator, 3.9-6.7 GHz -2dBm Output Power, SMA Female Connectors, +25Volts DC Voltage



### PIN-OUT

RF Out - 1  
VCC - 2  
Vtune - 3



A - 1.250 inch. (31.75 mm)  
B - 1.250 inch. (31.75 mm)  
C - 0.750 inch. (19.05 mm)  
D - 0.375 inch. (9.525 mm)  
E - 1.000 inch. (25.4 mm)  
F - 1.000 inch. (25.4 mm)  
G -  $\varnothing$ 0.136 inch. (3.45 mm)  
H - 0.625 inch. (15.875 mm)  
I - 0.625 inch. (15.875 mm)

Units: inches (mm)

Tolerances: 2 PL.  $\pm$ 0.030 inch. (0.762mm)

3 PL.  $\pm$ 0.015 inch. (0.381mm)

### Order Examples: RVCO-3.9-6.7-2dBm-Sf-25V-j14

Description: (Voltage Controlled Oscillator, 3.9-6.7GHz, -2dBm Output Power, SMA Female Connectors, +25Volts DC Voltage)

Specifications	
Oscillator Frequency:	<b>3.9-6.7 GHz</b>
Tuning Voltage:	0.5 - 18 VDC
Bias Voltage:	+5 VDC @ 53 mA (Max)
Output Power:	-2.0 dBm (Min)
Typical Tuning Sensitivity:	50 - 475 MHz/V (Typ)
Output Impedance:	50 Ohms (Nom)
Harmonic Suppression:	15 dBc (Typ)
Phase Noise:	-77 dBc/Hz (Typ) @ 10 KHz offset
Frequency Pulling:	20 MHz (Typ @ 1.75:1 VSWR)
Frequency Pushing:	10 MHz/V (Typ)
Tuning Port Capacitance:	15 pF (Typ)
Operating Temperature Range:	-40 to +85°C
Absolute Maximum Ratings	
Storage Temp. Range	-55 to +125°C
Bias Voltage	+5.5 V
Tuning Voltage	+20.0 V DC
Voltage Applied to RF Out	+25 V